

# airox

**WBCB TDS**

W I D E

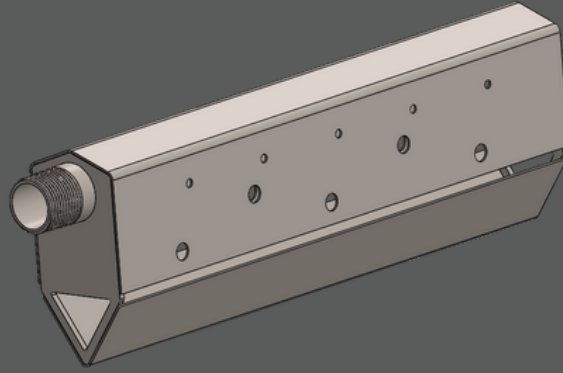
B A N D

C O A R S E

B U B B L E

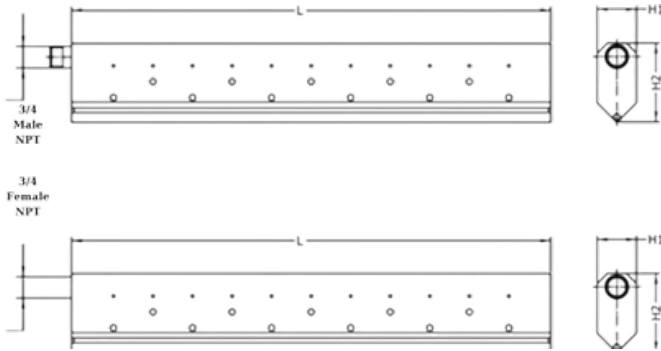
D I F F U S E R

**W B C B - 3 0 0**



[www.airox.com.tr](http://www.airox.com.tr)

# airox



\*If requested, different connection types can be provided.

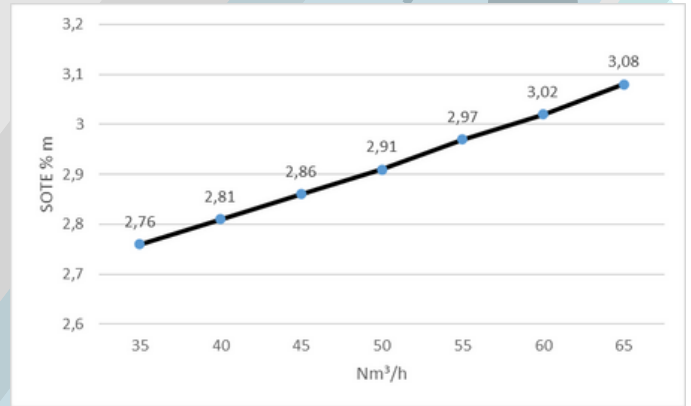
## DIMENSIONS

H1	(mm)	50
H2	(mm)	100
Total Length	(mm)	300
Threaded Connection		3/4" M NPT 3/4" F NPT 1" M NPT 1" F NPT
Weight	(kg)	0,67
Materials		AISI 304/316

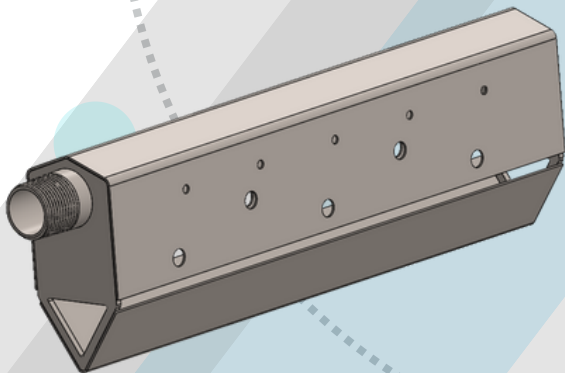
## DIFFUSER

Number of upper holes		10
Diameter of upper holes	(mm)	4
Number of lower holes		10
Diameter of lower holes	(mm)	8

\*The number of holes and pattern can be changed upon request.



\*SOTE values depend on the test tank, diffuser density and water height.  
\*SOTE value for 4 meters water height is  $(2.76 \times 4) = 11.04$  for 35 Nm³/h



## PERFORMANCE

Minimum airflow	[Nm³/h]	3,5
Nominal airflow	[Nm³/h]	15
Maximum airflow	[Nm³/h]	40
Design airflow range	[Nm³/h]	10-20
Head losses	(mbar)	5

\* Head losses are calculated at nominal airflow and 4m submergence.



# airox

## airox

GİF PLASTİK SAN. TİC. LTD. STİ.  
KAYAPA MAH. ,NERGİZ(530) CAD. ,NO:7,  
NİLÜFER/BURSA 16500  
TEL : +90 224 443 77 84-85  
MOBILE : +90 537 785 33 98  
FAX : +90 224 243 34 24  
email : info@airox.com.tr



[www.airox.com.tr](http://www.airox.com.tr)

## airox